

## YTK C-225 2.5M Projector Lift

(Close, normal setting)



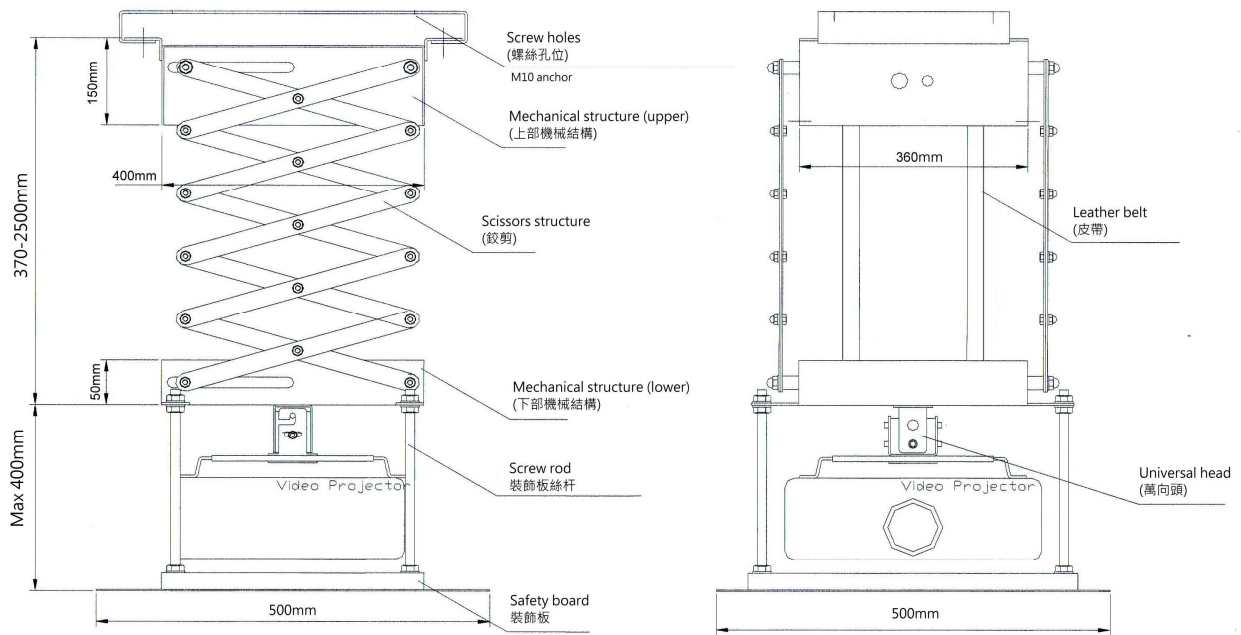
### Features

- 2.5m projector lift
- Supply RS232/RS485, Including: Manual and wireless remote control
- Function: Up, Down, stop
- Material: Iron of A3
- USA damping motor , Brake Function
- The left / right is 8 groups scissors x 2 , Two section of distance corrections for lift function (close , normal setting)
- The adjustable projector angle mount bracket (the left/right 0-30 ° ; Up/Down 0-40 ° )
- Automatic setting of two section: stop
- Color: Phenolic plastics , Surface treatment: Bake of high temperature

### Specification

- Motion max distance: 2500mm
- Weight: 20kg
- Load weight: 20kg
- Board size L x W (mm): 500 x 500
- Between true ceiling and false ceiling the height(mm): 600
- Power Supply: 220 V / 50 ~ 60 Hz
- Dimensions: 400(W) x 360 (D) x370(H) mm.

## Drawing



### Suitable use:

Conference room, Hall, Lecture Theaters

Warranty: 12 Month



**CB CE**